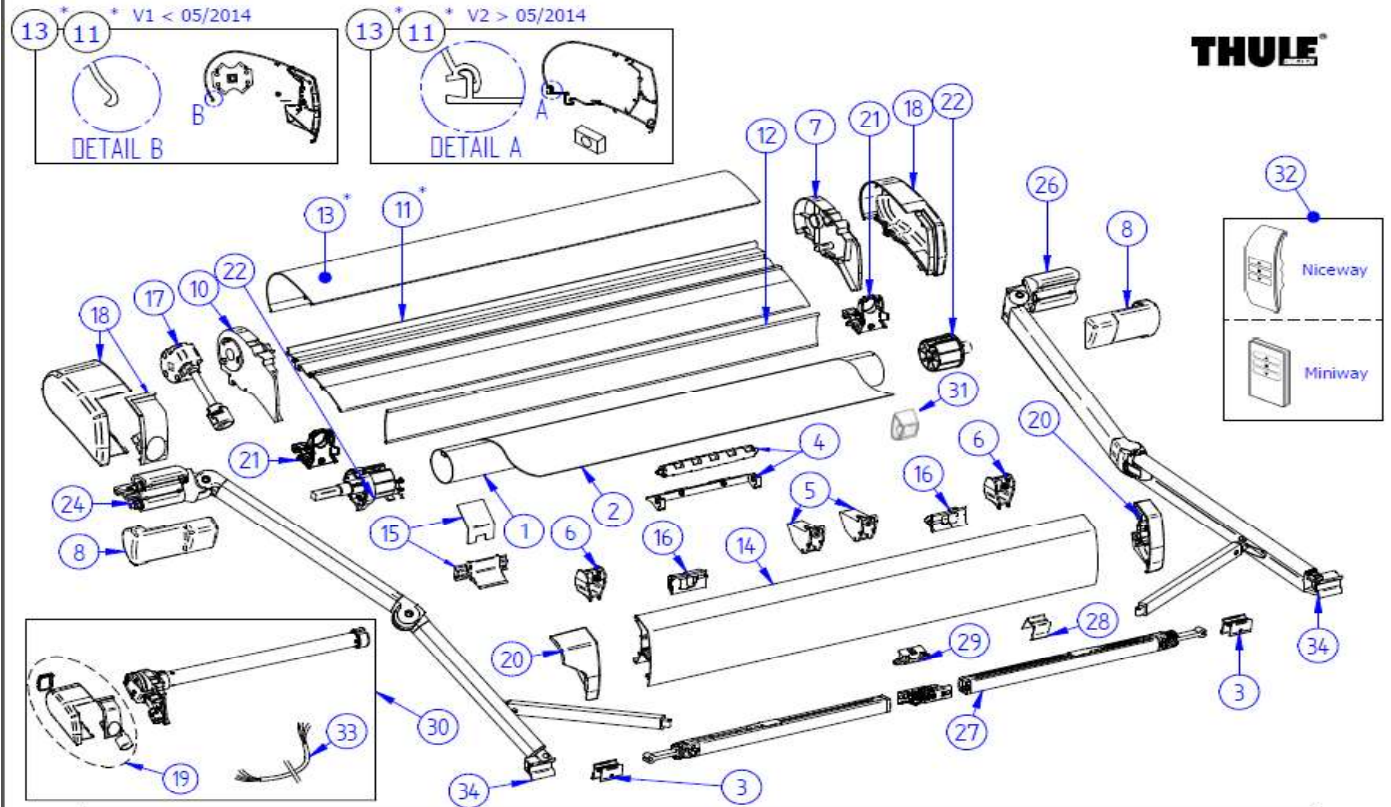


2020 SPARE PARTS LIST

9200

THULE
SWEDEN

6AC600



THULE Omnistor 9200

6AC 600-04

	ART.NR.	DESCRIPTION	RETAIL € (ex.VAT)
1	1500602617	ROLLER TUBE D=63 / 9200-4.00M	69,40
	1500602618	ROLLER TUBE D=63 / 9200-4.50M	77,40
	1500602417	ROLLER TUBE D=63 / 9200-5,00M	84,70
	1500602418	ROLLER TUBE D=63 / 9200-5,50M	92,30
	1500602419	ROLLER TUBE D=63 / 9200-6,00M	100,00
2	1500602420	FABRIC 4.00M 9200 03	340,10
	1500602421	FABRIC 4.00M 9200 04	340,10
	1500602422	FABRIC 4.00M 9200 22	340,10
	1500602423	FABRIC 4.00M 9200 31	340,10
	1500602424	FABRIC 4.00M 9200 32	340,10
	1500602425	FABRIC 4.50M 9200 03	370,30
	1500602426	FABRIC 4.50M 9200 04	370,30
	1500602427	FABRIC 4.50M 9200 22	370,30
	1500602428	FABRIC 4.50M 9200 31	370,30
	1500602429	FABRIC 4.50M 9200 32	370,30
	1500602430	FABRIC 5,00M 9200 03	401,90
	1500602431	FABRIC 5,00M 9200 04	401,90
	1500602432	FABRIC 5,00M 9200 22	401,90
	1500602433	FABRIC 5,00M 9200 31	401,90
	1500602434	FABRIC 5,00M 9200 32	401,90
	1500602435	FABRIC 5,50M 9200 03	432,50
	1500602436	FABRIC 5,50M 9200 04	432,50
	1500602437	FABRIC 5,50M 9200 22	432,50
	1500602438	FABRIC 5,50M 9200 31	432,50
	1500602439	FABRIC 5,50M 9200 32	432,50
1500602440	FABRIC 6,00M 9200 03	464,10	
1500602441	FABRIC 6,00M 9200 04	464,10	
1500602442	FABRIC 6,00M 9200 22	464,10	
1500602443	FABRIC 6,00M 9200 31	464,10	
1500602444	FABRIC 6,00M 9200 32	464,10	
3	1500601602	LH & RH CONNECTION SUPPORT ARM	4,10
4	1500602445	CENTER SUPPORT ROLLER TUBE 9200	23,90
5	1500602446	GLIDING ANGLE LEAD RAIL 9200	7,40

2020 SPARE PARTS LIST



9200

6AC600

6	1500602447	INSERT LEAD RAIL 9200 2PC	7,40
7	1500602448	RH ENDPLATE ASSY 9200	28,40
8	1500602449	LH + RH COVER SUPPORT SPRING ARM 9200	9,60
10	1500602450	LH ENDPLATE ASSY 9200	28,40
11	1500602812	BACK HOUSING 9200 4,00M V2	228,90
	1500602813	BACK HOUSING 9200 4,50M V2	257,50
	1500602814	BACK HOUSING 9200 5,00M V2	286,10
	1500602815	BACK HOUSING 9200 5,50M V2	314,80
	1500602816	BACK HOUSING 9200 6,00M V2	340,10
12	1500602456	SUPPORT ROLLER TUBE 9200 4,00M	53,10
	1500602457	SUPPORT ROLLER TUBE 9200 4,50M	61,90
	1500602458	SUPPORT ROLLER TUBE 9200 5,00M	70,60
	1500602459	SUPPORT ROLLER TUBE 9200 5,50M	79,40
	1500602460	SUPPORT ROLLER TUBE 9200 6,00M	88,40
13V1	1500602461	COVER HOUSING 9200 4,00M WHITE V1	170,40
	1500602462	COVER HOUSING 9200 4,50M WHITE V1	193,60
	1500602463	COVER HOUSING 9200 5,00M WHITE V1	216,90
	1500602464	COVER HOUSING 9200 5,50M WHITE V1	240,60
	1500602465	COVER HOUSING 9200 6,00M WHITE V1	263,80
	1500602466	COVER HOUSING 9200 4,00M ANO V1	170,40
	1500602467	COVER HOUSING 9200 4,50M ANO V1	193,60
	1500602468	COVER HOUSING 9200 5,00M ANO V1	216,90
	1500602469	COVER HOUSING 9200 5,50M ANO V1	240,60
	1500602470	COVER HOUSING 9200 6,00M ANO V1	263,80
	1500602471	COVER HOUSING 9200 4,00M CREAM V1	170,40
	1500602472	COVER HOUSING 9200 4,50M CREAM V1	193,60
	1500602473	COVER HOUSING 9200 5,00M CREAM V1	216,90
	1500602474	COVER HOUSING 9200 5,50M CREAM V1	240,60
	1500602475	COVER HOUSING 9200 6,00M CREAM V1	263,80
13V2	1500602817	COVER HOUSING 9200 4,00M WHITE V2	170,40
	1500602818	COVER HOUSING 9200 4,50M WHITE V2	193,60
	1500602819	COVER HOUSING 9200 5,00M WHITE V2	216,90
	1500602820	COVER HOUSING 9200 5,50M WHITE V2	240,60
	1500602821	COVER HOUSING 9200 6,00M WHITE V2	263,80
	1500602822	COVER HOUSING 9200 4,00M ANO V2	170,40
	1500602823	COVER HOUSING 9200 4,50M ANO V2	193,60
	1500602824	COVER HOUSING 9200 5,00M ANO V2	216,90
	1500602825	COVER HOUSING 9200 5,50M ANO V2	240,60
	1500602826	COVER HOUSING 9200 6,00M ANO V2	263,80
	1500602827	COVER HOUSING 9200 4,00M CREAM V2	170,40
	1500602828	COVER HOUSING 9200 4,50M CREAM V2	193,60
	1500602829	COVER HOUSING 9200 5,00M CREAM V2	216,90
	1500602830	COVER HOUSING 9200 5,50M CREAM V2	240,60
	1500602831	COVER HOUSING 9200 6,00M CREAM V2	263,80
14	1500602476	LEAD RAIL 9200 4.00M WHITE	211,20
	1500602477	LEAD RAIL 9200 4.50M WHITE	237,50
	1500602478	LEAD RAIL 9200 5.00M WHITE	263,80
	1500602479	LEAD RAIL 9200 5.50M WHITE	290,10
	1500602480	LEAD RAIL 9200 6.00M WHITE	316,70
	1500602481	LEAD RAIL 9200 4.00M ANO	211,20
	1500602482	LEAD RAIL 9200 4.50M ANO	237,50
	1500602483	LEAD RAIL 9200 5.00M ANO	263,80
	1500602484	LEAD RAIL 9200 5.50M ANO	290,10
	1500602485	LEAD RAIL 9200 6.00M ANO	316,70
	1500602486	LEAD RAIL 9200 4.00M CREAM	211,20
	1500602487	LEAD RAIL 9200 4.50M CREAM	237,50
	1500602488	LEAD RAIL 9200 5.00M CREAM	263,80
	1500602489	LEAD RAIL 9200 5.50M CREAM	290,10
	1500602490	LEAD RAIL 9200 6.00M CREAM	316,70
15	1500602491	SPRING & SUPPORT 9200	12,30
16	1500601298	LH & RH GLIDING PIECES TENSION ARMS	20,90
17	1500602698	GEAR ASSY+COUPL.FUNN 9200	44,70

2020 SPARE PARTS LIST



9200

6AC600

18	1500602492	LH+RH ENDCAP MAINHOUSING 9200 WHITE	19,00
	1500602493	LH+RH ENDCAP MAINHOUSING 9200 ANO	19,00
	1500602494	LH+RH ENDCAP MAINHOUSING 9200 CREAM	35,70
19	1500603373	LH ENDCAP MAINHOUSING 9200 220V WHITE	25,50
	1500603374	LH ENDCAP MAINHOUSING 9200 220V ANO	25,50
	1500603375	LH ENDCAP MAINHOUSING 9200 220V CREAM	42,30
20	1500602495	LH+RH ENDCAP LEADRAIL 9200 WHITE	14,50
	1500602496	LH+RH ENDCAP LEADRAIL 9200 ANO	14,50
	1500602497	LH+RH ENDCAP LEADRAIL 9200 CREAM	14,50
21	1500602498	HOUSING CON.PCE TENSION RAFTER 9200	7,40
22	1500602499	LH + RH ENDCAP ROLLERTUBE 9200	29,60
24	1500602500	L.H. SPRING ARM 9200	222,80
26	1500602501	R.H. SPRING ARM 9200	222,80
27	1500601312	SUPPORT ARM V2 LARGE	71,70
28	1500602502	ANTI RATTILING SUPPORT ARM 6200/9200	7,40
29	1500601789	CENTRAL CLAMP SUPPORT ARM V2	3,50
30	302533	220V MOTORKIT 9200 WHITE	gen. price list
	302534	220V MOTORKIT 9200 ANO	gen. price list
	302535	220V MOTORKIT 9200 CREAM	gen. price list
31	1500603113	POSIT. BLOCK + TENS. RAFTER HOUSING 9200 1+1PC	11,30
32	1500601129	REMOTE CONTROL NICEWAY	96,90
	1500603176	REMOTE CONTROL MINIWAY	76,50
33	1500602749	CABLE 220V MOTOR 9200 5,00M	62,90
34	1500602759	LH+RH CONN.LEAD RAIL 9200	24,70
	1500602760	LH+RH STOP SPRING ARM 9200	28,60
35	1500603165	SEALING TAPE LEAD RAIL	30,60