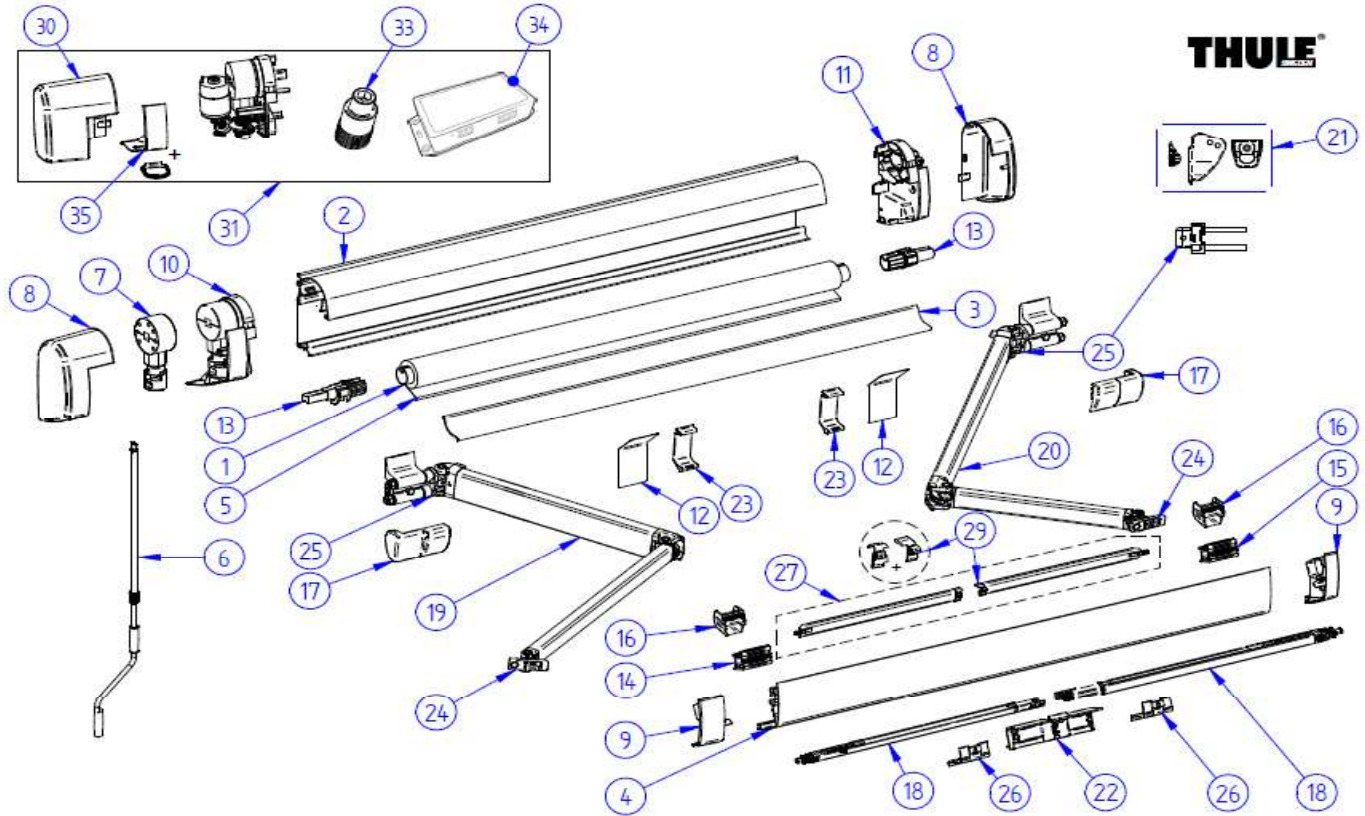


2019 SPARE PARTS LIST

5200

THULE
SWEDEN

5AT601-01



THULE Omnistor 5200

5AT601-02

	ART.NR.	DESCRIPTION	RETAIL € (ex. VAT)	
1	1500602989	ROLLER TUBE D=30X0.8MM / 5200-1.90M	42,70	
	1500602990	ROLLER TUBE D=30X0.8MM / 5200-2,30M	44,90	
	1500602658	ROLLER TUBE D=30X0.8MM / 5200-2,60M	48,60	
	1500602186	ROLLER TUBE D=30X0.8MM / 5200-3.00M	53,90	
	1500602187	ROLLER TUBE D=30X0.8MM / 5200-3.50M	61,20	
	1500602188	ROLLER TUBE D=30X0.8MM / 5200-4.00M	68,60	
	1500602189	ROLLER TUBE D=30X0.8MM / 5200-4.50M	76,10	
	1500602991	ROLLER TUBE D=30X0.8MM / 5200-5.00M	83,70	
	2	1500602992	MAIN HOUSING 5200 1.90M	115,10
		1500602993	MAIN HOUSING 5200 2.30M	136,50
1500602994		MAIN HOUSING 5200 2.60M	151,80	
1500602995		MAIN HOUSING 5200 3.00M	175,10	
1500602996		MAIN HOUSING 5200 3.50M	205,10	
1500602997		MAIN HOUSING 5200 4.00M	235,70	
1500602998		MAIN HOUSING 5200 4.50M	265,20	
1500602999		MAIN HOUSING 5200 5.00M	294,80	
1500603000		MAIN HOUSING 5200 ANO 1.90M	115,10	
1500603001		MAIN HOUSING 5200 ANO 2.30M	136,50	
1500603002		MAIN HOUSING 5200 ANO 2.60M	151,80	
1500603003		MAIN HOUSING 5200 ANO 3.00M	175,10	
1500603004		MAIN HOUSING 5200 ANO 3.50M	205,10	
1500603005		MAIN HOUSING 5200 ANO 4.00M	235,70	
1500603006		MAIN HOUSING 5200 ANO 4.50M	265,20	
1500603007		MAIN HOUSING 5200 ANO 5.00M	294,80	
1500603008		MAIN HOUSING 5200 ANTHR. 2.60M	175,10	
1500603009		MAIN HOUSING 5200 ANTHR. 3.00M	175,10	
1500603010		MAIN HOUSING 5200 ANTHR. 3.50M	205,10	
1500603011		MAIN HOUSING 5200 ANTHR. 4.00M	235,70	
1500603093	MAIN HOUSING 5200 ANTHR. 4.50M	265,20		
3	1500602665	SUPPORT ROLLER TUBE 5200 2M60	17,20	
	1500602284	SUPPORT ROLLER TUBE 5200 3M00	18,00	
	1500602285	SUPPORT ROLLER TUBE 5200 3M50	19,80	

2019 SPARE PARTS LIST



5200

5AT601-01

	1500602221	SUPPORT ROLLER TUBE 5200 4M00	22,10
	1500602222	SUPPORT ROLLER TUBE 5200 4M50	23,70
	1500603014	SUPPORT ROLLER TUBE 5200 5M00	26,80
4	1500603015	LEAD RAIL 5200 1.90M	105,30
	1500603016	LEAD RAIL 5200 2.30M	122,00
	1500603017	LEAD RAIL 5200 2.60M	122,00
	1500603018	LEAD RAIL 5200 3.00M	140,60
	1500603019	LEAD RAIL 5200 3.50M	164,30
	1500603020	LEAD RAIL 5200 4.00M	189,60
	1500603021	LEAD RAIL 5200 4.50M	206,70
	1500603022	LEAD RAIL 5200 5.00M	224,20
	1500603023	LEAD RAIL 5200 ANO 1.90M	105,30
	1500603024	LEAD RAIL 5200 ANO 2.30M	122,00
	1500603025	LEAD RAIL 5200 ANO 2.60M	122,00
	1500603026	LEAD RAIL 5200 ANO 3.00M	140,60
	1500603027	LEAD RAIL 5200 ANO 3.50M	164,30
	1500603028	LEAD RAIL 5200 ANO 4.00M	189,60
	1500603029	LEAD RAIL 5200 ANO 4.50M	206,70
	1500603030	LEAD RAIL 5200 ANO 5.00M	224,20
	1500603031	LEAD RAIL 5200 ANTHR. 2.60M	122,00
	1500603032	LEAD RAIL 5200 ANTHR. 3.00M	140,60
	1500603033	LEAD RAIL 5200 ANTHR. 3.50M	164,30
	1500603034	LEAD RAIL 5200 ANTHR. 4.00M	189,60
	1500603094	LEAD RAIL 5200 ANTHR. 4.50M	206,70
5	1500603035	FABRIC 1.90M 5200 03 BL SK	131,60
	1500603036	FABRIC 1.90M 5200 04 AL GR	131,60
	1500603037	FABRIC 1.90M 5200 22 RAL 9002	131,60
	1500603038	FABRIC 1.90M 5200 31 MY GR	131,60
	1500603039	FABRIC 1.90M 5200 32 SA BL	131,60
	1500603040	FABRIC 2.30M 5200 03 BL SK	183,00
	1500603041	FABRIC 2.30M 5200 04 AL GR	183,00
	1500603042	FABRIC 2.30M 5200 22 RAL 9002	183,00
	1500603043	FABRIC 2.30M 5200 31 MY GR	183,00
	1500603044	FABRIC 2.30M 5200 32 SA BL	183,00
	1500603045	FABRIC 2.60M 5200 03 BL SK	206,10
	1500603046	FABRIC 2.60M 5200 04 AL GR	206,10
	1500603047	FABRIC 2.60M 5200 22 RAL9002	206,10
	1500602663	FABRIC 2.60M 5200 31 MY GR	206,10
	1500602664	FABRIC 2.60M 5200 32 SA BL	206,10
	1500603048	FABRIC 3.00M 5200 03 BL SK	229,30
	1500603049	FABRIC 3.00M 5200 04 AL GR	229,30
	1500603050	FABRIC 3.00M 5200 22 RAL9002	229,30
	1500602202	FABRIC 3.00M 5200 31 MY GR	229,30
	1500602203	FABRIC 3.00M 5200 32 SA BL	229,30
	1500603051	FABRIC 3.50M 5200 03 BL SK	254,80
	1500603052	FABRIC 3.50M 5200 04 AL GR	254,80
	1500603053	FABRIC 3.50M 5200 22 RAL9002	254,80
	1500602204	FABRIC 3.50M 5200 31 MY GR	254,80
	1500602205	FABRIC 3.50M 5200 32 SA BL	254,80
	1500603054	FABRIC 4.00M 5200 03 BL SK	280,50
	1500603055	FABRIC 4.00M 5200 04 AL GR	280,50
	1500603056	FABRIC 4.00M 5200 22 RAL 9002	280,50
	1500602206	FABRIC 4.00M 5200 31 MY GR	280,50
	1500602207	FABRID 4.00M 5200 32 SA BL	280,50
	1500603057	FABRIC 4.50M 5200 03 BL SK	302,80
	1500603058	FABRIC 4.50M 5200 04 AL GR	302,80
	1500603059	FABRIC 4.50M 5200 22 RAL 9002	302,80
	1500602208	FABRIC 4.50M 5200 31 MY GR	302,80
	1500602209	FABRIC 4.50M 5200 32 SA BL	302,80
	1500603060	FABRIC 5.00M 5200 03 BL SK	324,80
	1500603061	FABRIC 5.00M 5200 04 AL GR	324,80
	1500603062	FABRIC 5.00M 5200 22 RAL 9002	324,80

2019 SPARE PARTS LIST

5200



5AT601-01

	1500603063	FABRIC 5.00M 5200 31 MY GR	324,80
	1500603064	FABRID 5.00M 5200 32 SA BL	324,80
6	1500602210	HAND CRANK ASSY SHORT	41,30
	1500603195	HAND CRANK ASSY SHORT 12V	49,90
7	1500601221	GEAR ASSY+COUPL.FUNNEL	44,70
8	1500603065	LH+RH ENDCAP MAINHOUSING 5200	17,00
	1500603066	LH + RH ENDC MAINHOUS 5200 ANO	17,00
	1500603067	LH + RH ENDC MAINHOUS 5200 ANTHR.	17,00
9	1500603068	LH+RH ENDCAP LEADRAIL 5200	12,30
	1500603069	LH+RH ENDCAP LEADRAIL 5200 ANO	12,30
	1500603070	LH+RH ENDCAP LEADRAIL 5200 ANTHR.	12,30
10	1500603071	LH ENDPLATE ASSY 5200 WH	33,90
	1500603095	LH ENDPLATE ASSY 5200 ANO	33,90
	1500603097	LH ENDPLATE ASSY 5200 ANTR	33,90
11	1500603072	RH ENDPLATE ASSY 5200 WH	12,90
	1500603096	RH ENDPLATE ASSY 5200 ANO	12,90
	1500603098	RH ENDPLATE ASSY 5200 ANTR	12,90
12	1500603073	SPRING SUPPORT ROLLER TUBE 5200	7,00
13	1500602219	LH + RH ENDCAP ROLLER TUBE 5200	11,50
14	1500603074	LH CONN SUPPORT ARM 5200	13,90
15	1500603075	RH CONN SUPPORT ARM 5200	13,90
16	1500603076	INSERT LEAD RAIL 5200 2PC	7,40
17	1500602235	LH + RH COVER SPRING ARM BR.	6,40
18	1500603077	SUPPORT ARM 5200 1.90M	71,70
	1500603078	SUPPORT ARM 5200 2.30M	71,70
	1500603079	SUPPORT ARM 5200 2.60M XL	71,70
	1500603080	SUPPORT ARM 5200 3.00M	65,10
	1500603081	SUPPORT ARM 5200 3.50-5.00M	71,70
19	1500603082	L.H. SPRING ARM COMPL. 5200 - 1,90M	135,70
	1500603083	L.H. SPRING ARM COMPL. 5200 - 2,30M	144,30
	1500603084	L.H. SPRING ARM COMPL. 5200 - 2,60M	146,90
	1500603085	L.H. SPRING ARM COMPL. 5200 ≥3,00M	153,00
20	1500603086	R.H. SPRING ARM COMPL. 5200 - 1,90M	135,70
	1500603087	R.H. SPRING ARM COMPL. 5200 - 2,30M	144,30
	1500603088	R.H. SPRING ARM COMPL. 5200 - 2,60M	146,90
	1500603089	R.H. SPRING ARM COMPL. 5200 ≥3,00M	153,00
21	1500603099	POSIT. PIECE + TR HOLDER 5200	9,80
22	1500603090	CENTRAL CLAMP SUPPORT ARM 5200	10,20
23	1500602327	POSITIONER SPRING ARM - 2PC	7,40
24	1500603091	CONN LEAD RAIL 5200 - 2PC	16,60
	1500603344	LH+RH STOP SPRING ARM 5200	26,60
25	1500602811	ROTATION PLATE 5200 / 6200	20,70
26	1500603092	CLIP SUPPORT ARM 5200 - 2PC	7,40
27	301295	INTEGRATED TENSION ARMS 5200	gen.price list
28	1500603166	NOISE REDUCTION 5200	0,00
29	1500603188	LH + RH END CAP TENSION ARMS 5200	4,10
30	1500603189	LH + RH ENDCAP MAINHOUSING 5200 12V WH	19,00
	1500603190	LH + RH ENDC MAINHOUSING 5200 12V ANO	19,00
	1500603191	LH + RH ENDC MAINHOUSING 5200 12V ANTHR.	19,00
31	301296	12V MOTOR ASSY 5200 WHITE	gen.price list
	301297	12V MOTOR ASSY 5200 ANO	gen.price list
	301298	12V MOTOR ASSY 5200 ANTHR.	gen.price list
33	1500603196	CRANK PIN 12V	18,40
34	1500603197	PANEL SET 5200 12V	115,30
35	1500603198	PLUG & GEAR COVER WHITE	8,60
	1500603199	PLUG & GEAR COVER ANO	8,60
	1500603200	PLUG & GEAR COVER ANTHR.	8,60
36	1500603201	SWITCH 12V MOTOR 5200	37,70