

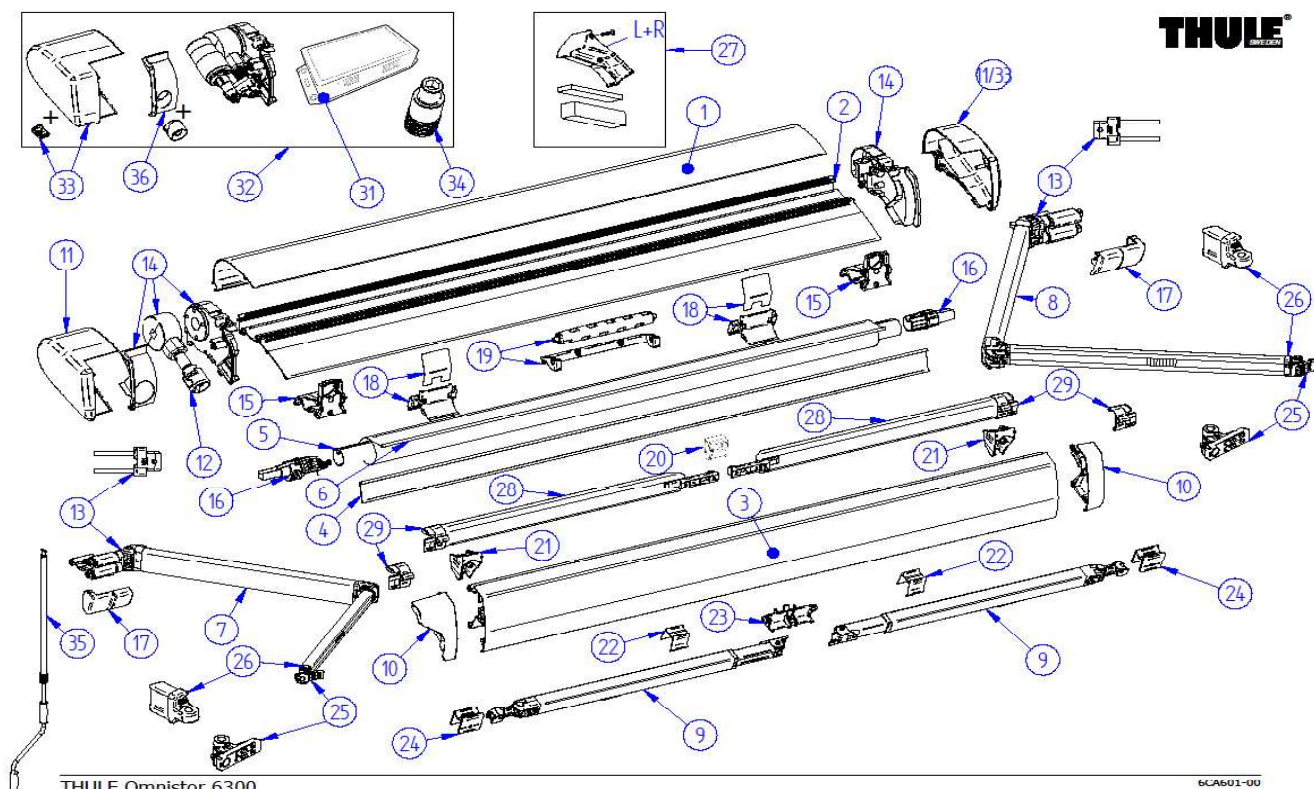
2020 SPARE PARTS LIST

6300

THULE
SWEDEN

6CA601

THULE
SWEDEN



THULE Omnistor 6300

6CA601-00

	ART.NR.	DESCRIPTION	RETAIL € (ex.VAT)
1	1500603256	COVER HOUSING 6300 2,60M WHITE	99,80
	1500603257	COVER HOUSING 6300 3,00M WHITE	115,10
	1500603258	COVER HOUSING 6300 3,25M WHITE	133,90
	1500603259	COVER HOUSING 6300 3,50M WHITE	133,90
	1500603260	COVER HOUSING 6300 3,75M WHITE	154,30
	1500603261	COVER HOUSING 6300 4,00M WHITE	154,30
	1500603262	COVER HOUSING 6300 4,25M WHITE	180,60
	1500603263	COVER HOUSING 6300 4,50M WHITE	180,60
	1500603264	COVER HOUSING 6300 5,00M WHITE	206,90
	1500603265	COVER HOUSING 6300 3,25M ANO	133,90
	1500603266	COVER HOUSING 6300 3,50M ANO	133,90
	1500603267	COVER HOUSING 6300 3,75M ANO	154,30
	1500603268	COVER HOUSING 6300 4,00M ANO	154,30
	1500603269	COVER HOUSING 6300 4,50M ANO	180,60
	1500603270	COVER HOUSING 6300 5,00M ANO	206,90
	1500603271	COVER HOUSING 6300 2,60M ANTHR.	99,80
	1500603272	COVER HOUSING 6300 3,00M ANTHR.	115,10
	1500603273	COVER HOUSING 6300 3,25M ANTHR.	133,90
	1500603274	COVER HOUSING 6300 3,50M ANTHR.	133,90
	1500603275	COVER HOUSING 6300 3,75M ANTHR.	154,30
	1500603276	COVER HOUSING 6300 4,00M ANTHR.	154,30
	1500603470	COVER HOUSING 6300 4,25M ANTHR.	180,60
	1500603277	COVER HOUSING 6300 4,50M ANTHR.	180,60
	1500603278	COVER HOUSING 6300 5,00M ANTHR.	206,90
2	1500603279	BACK HOUSING 6200 2,60M	127,10
	1500603280	BACK HOUSING 6300 3,00M	149,20
	1500603281	BACK HOUSING 6300 3,25M	171,00
	1500603282	BACK HOUSING 6300 3,50M	171,00
	1500603283	BACK HOUSING 6300 3,75M	192,40
	1500603284	BACK HOUSING 6300 4,00M	192,40
	1500603285	BACK HOUSING 6300 4,25M	208,50
	1500603286	BACK HOUSING 6300 4,50M	208,50
	1500603287	BACK HOUSING 6300 5,00M	224,70

2020 SPARE PARTS LIST



6300

6CA601

3	1500603288	LEAD RAIL 6300 2,60M WHITE	122,00
	1500603289	LEAD RAIL 6300 3,00M WHITE	140,60
	1500603290	LEAD RAIL 6300 3,25M WHITE	164,30
	1500603291	LEAD RAIL 6300 3,50M WHITE	164,30
	1500603292	LEAD RAIL 6300 3,75M WHITE	189,60
	1500603293	LEAD RAIL 6300 4,00M WHITE	189,60
	1500603294	LEAD RAIL 6300 4,25M WHITE	206,70
	1500603295	LEAD RAIL 6300 4,50M WHITE	206,70
	1500603296	LEAD RAIL 6300 5,00M WHITE	224,20
	1500603297	LEAD RAIL 6300 3,25M ANO	164,30
	1500603298	LEAD RAIL 6300 3,50M ANO	164,30
	1500603299	LEAD RAIL 6300 3,75M ANO	189,60
	1500603300	LEAD RAIL 6300 4,00M ANO	189,60
	1500603301	LEAD RAIL 6300 4,50M ANO	206,70
	1500603302	LEAD RAIL 6300 5,00M ANO	224,20
	1500603303	LEAD RAIL 6300 2,60M ANTHR.	122,00
	1500603304	LEAD RAIL 6300 3,00M ANTHR.	140,60
	1500603305	LEAD RAIL 6300 3,25M ANTHR.	164,30
	1500603306	LEAD RAIL 6300 3,50M ANTHR.	164,30
	1500603307	LEAD RAIL 6300 3,75M ANTHR.	189,60
	1500603308	LEAD RAIL 6300 4,00M ANTHR.	189,60
	1500603471	LEAD RAIL 6300 4,25M ANTHR.	206,70
	1500603309	LEAD RAIL 6300 4,50M ANTHR.	206,70
	1500603310	LEAD RAIL 6300 5,00M ANTHR.	224,20
4	1500603311	ALU SUPPORT ROLLER TUBE 6300 2,60M	42,30
	1500603312	ALU SUPPORT ROLLER TUBE 6300 3,00M	42,30
	1500603313	ALU SUPPORT ROLLER TUBE 6300 3,25M	47,40
	1500603314	ALU SUPPORT ROLLER TUBE 6300 3,50M	49,20
	1500603315	ALU SUPPORT ROLLER TUBE 6300 3,75M	51,30
	1500603316	ALU SUPPORT ROLLER TUBE 6300 4,00M	53,30
	1500603317	ALU SUPPORT ROLLER TUBE 6300 4,25M	55,10
	1500603318	ALU SUPPORT ROLLER TUBE 6300 4,50M	57,00
	1500603319	ALU SUPPORT ROLLER TUBE 6300 5,00M	61,10
5	1500602554	ROLLER TUBE D=30 / 6300 2,60M	47,20
	1500602555	ROLLER TUBE D=30 / 6300 3,00M	53,90
	1500602556	ROLLER TUBE D=30 / 6300 3,25M	61,20
	1500602557	ROLLER TUBE D=30 / 6300 3,50M	61,20
	1500602558	ROLLER TUBE D=30 / 6300 3,75M	68,60
	1500602559	ROLLER TUBE D=30 / 6300 4,00M	68,60
	1500602870	ROLLER TUBE D=30 / 6300 4,25M	76,10
	1500602560	ROLLER TUBE D=30 / 6300 4,50M	76,10
	1500602871	ROLLER TUBE D=30 / 6300 5,00M	83,70
	1500602664	FABRIC 2,60M 6300 32	206,10
	1500602202	FABRIC 3,00M 6300 31	229,30
	1500602203	FABRIC 3,00M 6300 32	229,30
	1500603320	FABRIC 3,25M 6300 31	254,80
	1500603321	FABRIC 3,25M 6300 32	254,80
	1500602204	FABRIC 3,50M 6300 31	254,80
	1500602205	FABRIC 3,50M 6300 32	254,80
	1500603322	FABRIC 3,75M 6300 31	280,50
	1500603323	FABRIC 3,75M 6300 32	280,50
	1500602206	FABRIC 4,00M 6300 31	280,50
	1500602207	FABRIC 4,00M 6300 32	280,50
	1500603324	FABRIC 4,25M 6300 31	302,80
	1500603325	FABRIC 4,25M 6300 32	302,80
	1500602208	FABRIC 4,50M 6300 31	302,80
	1500602209	FABRIC 4,50M 6300 32	302,80
	1500603063	FABRIC 5,00M 6300 31	324,80
	1500603064	FABRIC 5,00M 6300 32	324,80
7	1500603326	L.H. SPRING ARM 6300 2,60M	146,90
	1500603327	L.H. SPRING ARM 6300 3,0/5,0M	153,00
8	1500603328	R.H. SPRING ARM 6300 2,60M	146,90

2020 SPARE PARTS LIST

6300



6CA601

	1500603329	R.H. SPRING ARM 6300 3,0/5,0M	153,00
9	1500603330	SUPPORT ARM 6300 2.60M XL	71,70
	1500603331	SUPPORT ARM 6300 3.00-3,25M	65,10
	1500603332	SUPPORT ARM 6300 3.50-4.50M	65,10
10	1500603333	LH+RH ENDCAP LEADRAIL 6300 WHITE	12,30
	1500603334	LH+RH ENDCAP LEADRAIL 6300 ANO	12,30
	1500603335	LH+RH ENDCAP LEADRAIL 6300 ANTHR.	12,30
11	1500603336	LH+RH ENDCAP MAINHOUSING 6300 WHITE	17,00
	1500603337	LH+RH ENDCAP MAINHOUSING 6300 ANO	17,00
	1500603338	LH+RH ENDCAP MAINHOUSING 6300 ANTHR	17,00
12	1500602606	GEAR ASSY+COUPL.FUNN 6200 /6300	47,20
13	1500602811	ROTATION PLATE 4900/ 5200 / 6200 / 6300	20,70
14	1500603339	LH+RH ENDPLATE ASSY 6300 WHITE	47,40
	1500603340	LH+RH ENDPLATE ASSY 6300 ANO	47,40
	1500603341	LH+RH ENDPLATE ASSY 6300 ANTHR	47,40
15	1500602610	HOUSING CON.PCE TENSION RAFTER 6200	7,40
16	1500602611	LH + RH ENDCAP ROLLER TUBE 6200	11,70
17	1500602612	LH + RH COVER SUPPORT SPRING ARM 6200	9,00
18	1500602613	SPRING & SUPPORT 6200	9,60
19	1500603353	CENTER SUPPORT ROLLER TUBE 6300	23,90
20	1500603112	POSIT. BLOCK + TENS. RAFTER HOUSING 6200 1+1PC	8,80
21	1500602616	INSERT LEAD RAIL 6200 2PC	7,40
22	1500602502	ANTI RATTLING SUPPORT ARM 6200/9200	7,40
23	1500603342	CENTRAL CLAMP SUPPORT ARM 6300	6,90
24	1500603343	LH & RH CONNECTION SUPPORT ARM 6300	6,70
25	1500603091	CONN LEAD RAIL 5200 - 2PC	16,60
26	1500603344	LH+RH STOP SPRING ARM 6300	26,60
27	1500603178	END CAPS COVERS DUCATO	9,10
28	302095	INTEGRATED TENSION ARMS 6300	gen. price list
29	1500603345	ENDCAP TENSION ARM L+R 6300	6,20
31	1500603346	PANEL SET 6300 12V	115,30
32	302096	12V MOTOR ASSY 5200 WHITE	gen. price list
	302097	12V MOTOR ASSY 5200 ANO	gen. price list
	302098	12V MOTOR ASSY 5200 ANTHR.	gen. price list
33	1500603347	LH+RH ENDCAP 12V MOTOR 6300 WHITE	19,00
	1500603348	LH+RH ENDCAP 12V MOTOR 6300 ANO	19,00
	1500603349	LH+RH ENDCAP 12V MOTOR 6300 ANTHR	19,00
34	1500603196	UPPER CRANK PIN 5200 12V	18,40
35	1500600115	HAND CRANK ASSY LONG	45,70
	1500603195	HAND CRANK ASSY SHORT 12V	49,90
36	1500603350	PLUG & GEAR COVER WHITE	9,20
	1500603351	PLUG & GEAR COVER ANO	9,20
	1500603352	PLUG & GEAR COVER ANTHR.	9,20
37	1500603201	SWITCH 12V MOTOR 6300	37,70
38	1500603354	EPDM SEALING PROFILE 18MM (2x2,00M)	35,70
39	1500603356	SEALING ROPE LEAD RAIL 6300	17,90