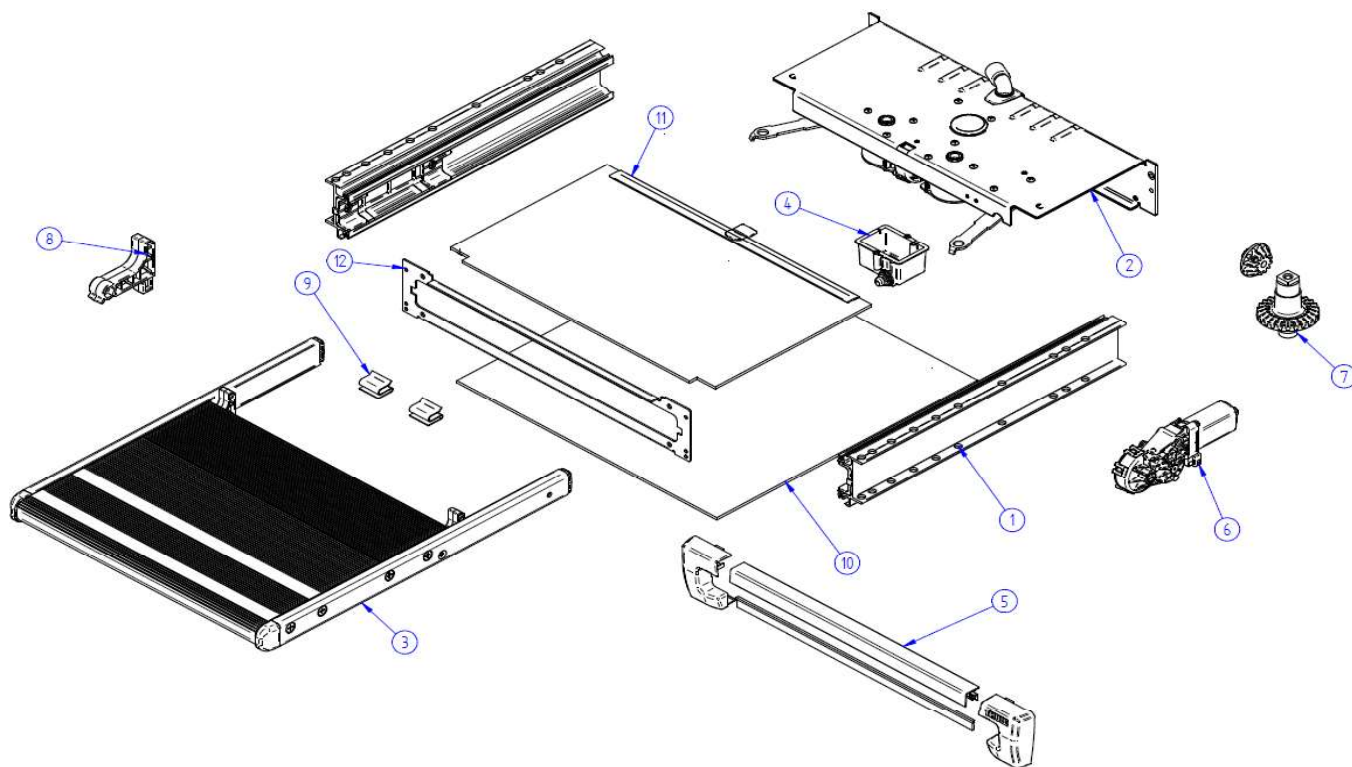


2019 SPARE PARTS LIST
SLIDE-OUT STEP V18

THULE
SWEDEN

SDC 604

THULE
SWEDEN



	ART.NR.	DESCRIPTION	RETAIL € (ex.VAT)
1	1500603377	FRAME SLIDE OUT 400 V18	71,40
1	1500603378	FRAME SLIDE OUT 460 V18 (*)	74,50
1	1500603379	FRAME SLIDE OUT 550 V18	77,60
1	1500603380	FRAME SLIDE OUT 700 V18	83,70
2	1500603236	MOTOR COMPLETE SO V19 - 400	151,80
2	1500603381	MOTOR COMPLETE SO V19 - 460 (*)	157,10
2	1500603229	MOTOR COMPLETE SO V19 - 550	157,10
2	1500603237	MOTOR COMPLETE SO V19 - 700	188,70
3	1500603382	FOOTBOARD COMPL. SLIDE OUT 400 V18	102,00
3	1500603383	FOOTBOARD COMPL. SLIDE OUT 460 V18 (*)	112,20
3	1500603384	FOOTBOARD COMPL. SLIDE OUT 550 V18	122,40
3	1500603385	FOOTBOARD COMPL. SLIDE OUT 700 V18	142,80
4	1500603129	ALARMSWITCH SLIDE OUT V16	13,10
5	1500603386	FRONT PROTECTION SLIDE OUT 400 V18	18,40
5	1500603387	FRONT PROTECTION SLIDE OUT 460 V18 (*)	20,40
5	1500603388	FRONT PROTECTION SLIDE OUT 550 V18	22,50
5	1500603389	FRONT PROTECTION SLIDE OUT 700 V18	26,60
6	1500602744	12V MOTOR SLIDE OUT 2012	73,50
7	1500602745	REPAIR KIT PINION SLIDE-OUT 2012	14,10
8	1500602746	END STOP FOOTBOARD SLIDE OUT 2012	8,00
9	1500602752	FIXATION SPRING PROTECTION COVER - 6PCS	9,60
10	1500603390	LOWER PROTECTION SLIDE OUT V18 12V 400	25,30
10	1500603391	LOWER PROTECTION SLIDE OUT V18 12V 460 (*)	26,20
10	1500603392	LOWER PROTECTION SLIDE OUT V18 12V 550	27,00
10	1500603393	LOWER PROTECTION SLIDE OUT V18 12V 700	28,60
11	1500603394	UPPER PROTECTION SLIDE OUT V18 12V 400 + LIP PROFILE	22,50
11	1500603395	UPPER PROTECTION SLIDE OUT V18 12V 460 + LIP PROFILE (*)	24,50
11	1500603396	UPPER PROTECTION SLIDE OUT V18 12V 550 + LIP PROFILE	26,60
11	1500603397	UPPER PROTECTION SLIDE OUT V18 12V700 + LIP PROFILE	28,60
12	1500603242	FRONT PLATE SLIDE OUT V19 - 400	16,40
12	1500603398	FRONT PLATE SLIDE OUT V19 - 460 (*)	17,40

12	1500603232	FRONT PLATE SLIDE OUT V19 - 550	18,40
12	1500603243	FRONT PLATE SLIDE OUT V19 - 700	20,40
	(*)	460 = Special Step : Carthago	