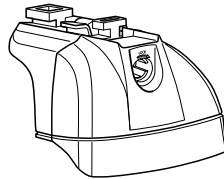


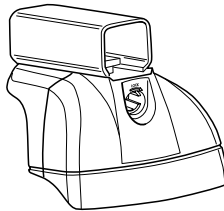
# Kit 3026

MERCEDES BENZ E-class (W211), 4-dr Sedan, 02-09

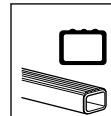
This Kit is only for vehicles with fixpoint mounting.

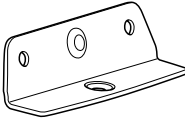
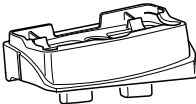
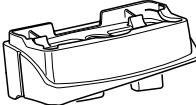
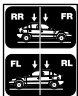
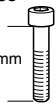



460R  
753

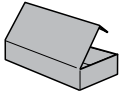


460

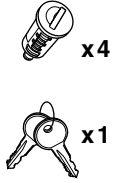
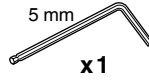
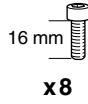
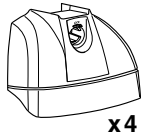
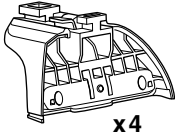


- 
◀ 01 x 4
- 
◀ 39 x 2
- 
◀ 40 x 2
- 
x 1
- 
31335  
40 mm
x 4
- 
50786
x 4

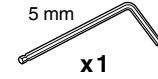
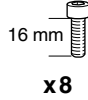
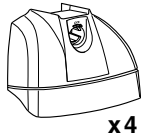
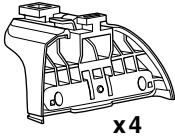
**Kit**



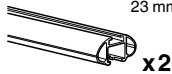
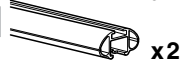
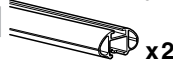
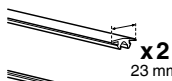
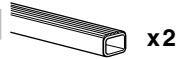
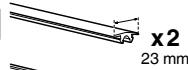
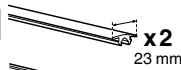
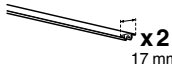
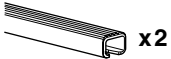
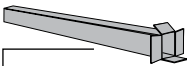
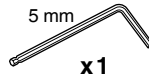
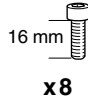
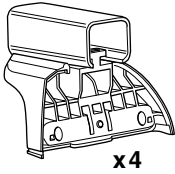
753



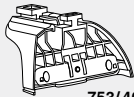
460R



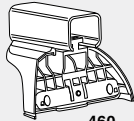
460



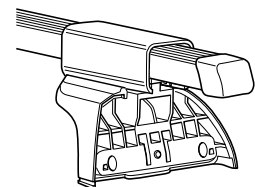
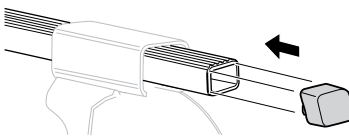
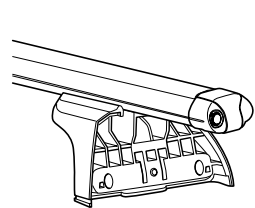
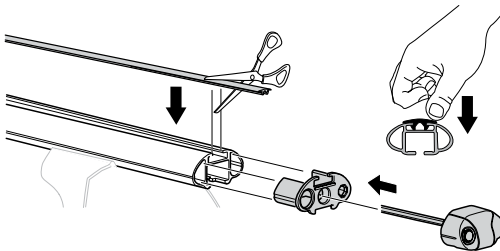
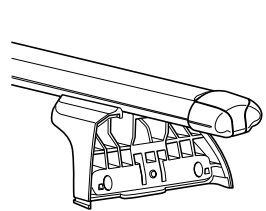
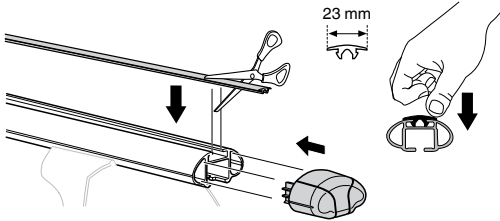
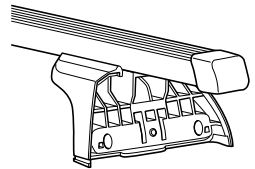
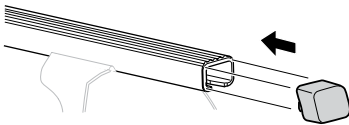
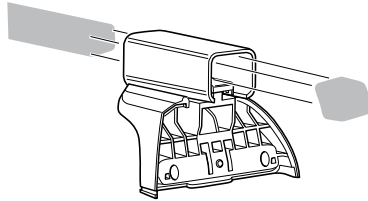
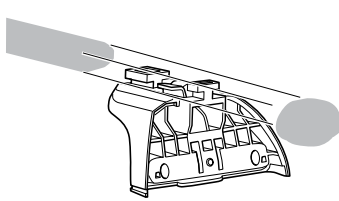
1



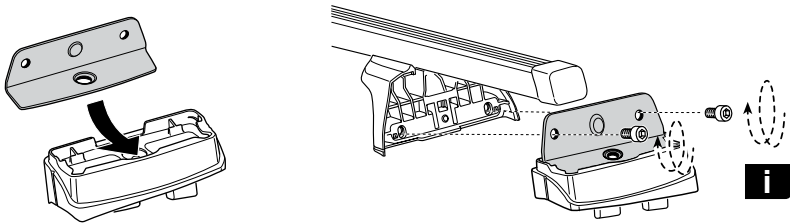
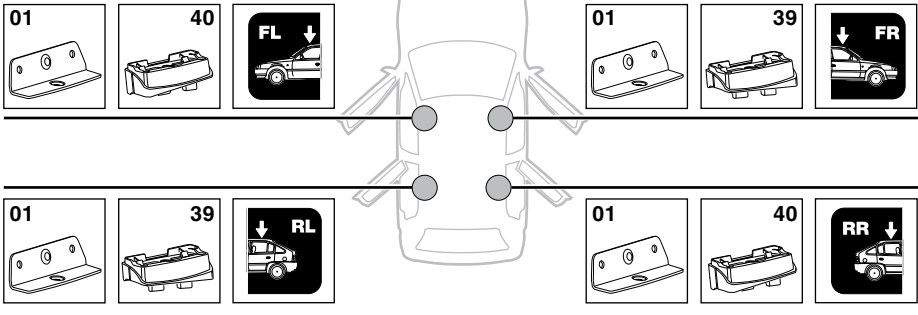
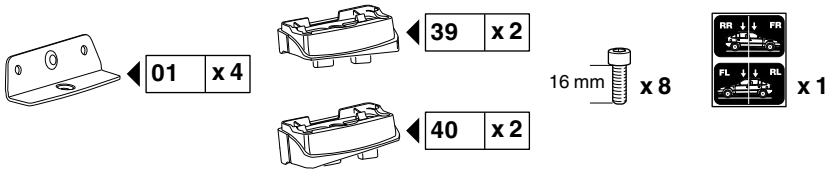
753/460R



460

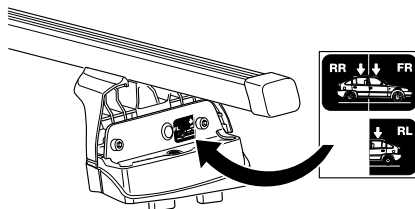


2

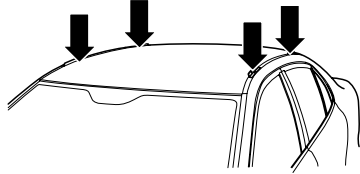
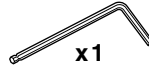
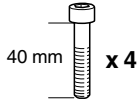


**i**

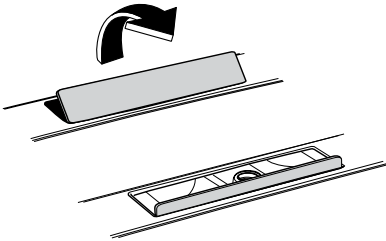
- |                                    |  |                                    |
|------------------------------------|--|------------------------------------|
| <b>GB</b> Only a few turns         | <b>EST</b> Ainult mõni pööre             | <b>HR</b> Samo nekoliko okreta     |
| <b>D</b> Nur wenige Umdrehungen    | <b>LAT</b> Tikai dažī apgriezieni        | <b>HU</b> Csak néhány fordítás     |
| <b>F</b> Quelques tours uniquement | <b>LIT</b> Tik keli pasukimai            | <b>GR</b> Μόνο μερικές στροφές     |
| <b>NL</b> Slechts enkele slagen    | <b>PL</b> Wystarczy kilka obrotów        | <b>TR</b> Yalnız birkaç kez çevirm |
| <b>I</b> Solo qualche giro         | <b>RU</b> Достаточно нескольких оборотов | <b>中文</b> 只有几个转向                   |
| <b>E</b> Sólo algunas vueltas      | <b>CZ</b> Pouze několik otáček           | <b>한국어</b> 두 세번만                   |
| <b>PT</b> Noções básicas           | <b>SK</b> Len niekoľko otáčok            | <b>日本語</b> 数回転のみ                   |
| <b>S</b> Endast några varv         | <b>SLO</b> Le nekaj obratov              | <b>ไทย</b> หมุนเพียงไม่กี่รอบ      |



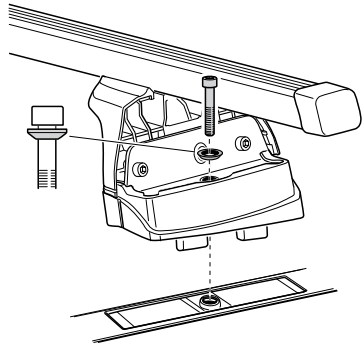
**3**



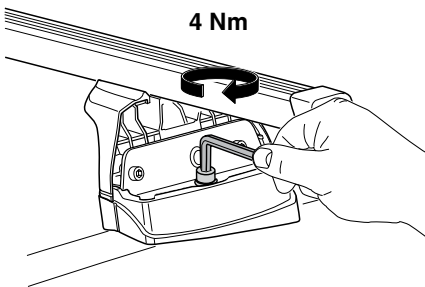
**A**



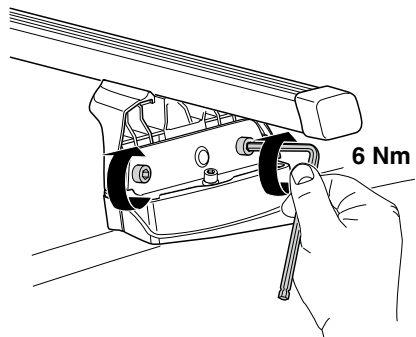
**B**

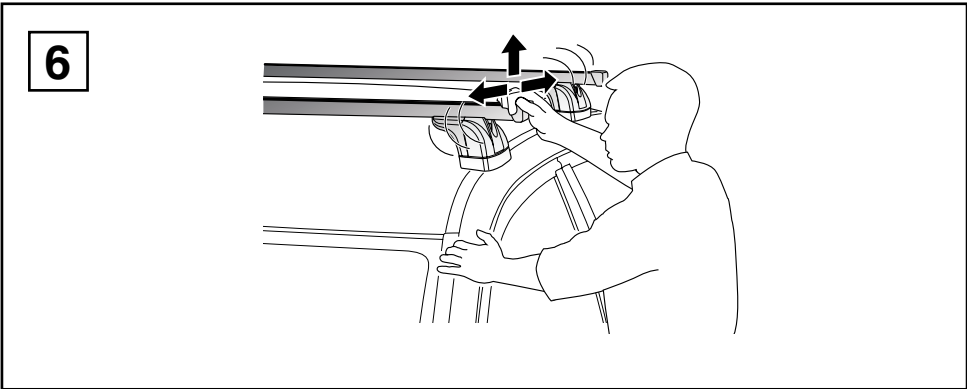
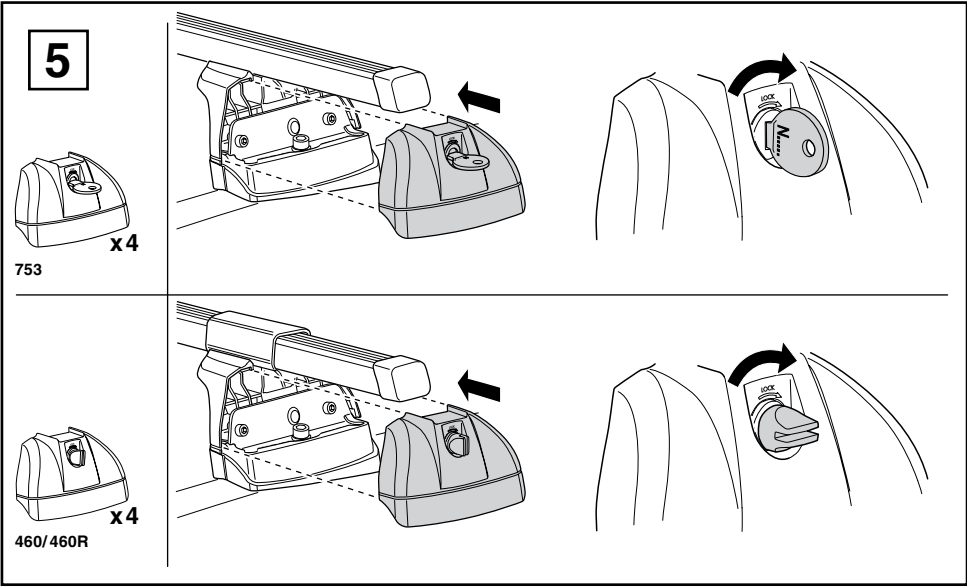
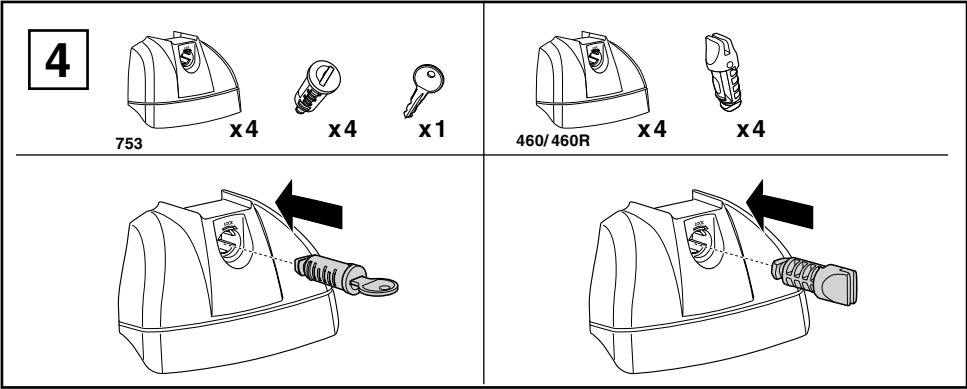


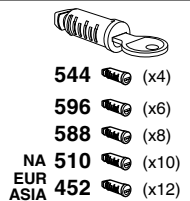
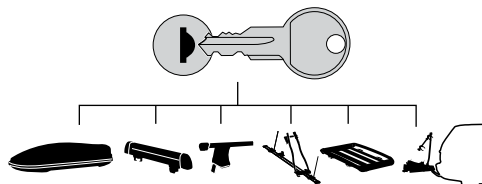
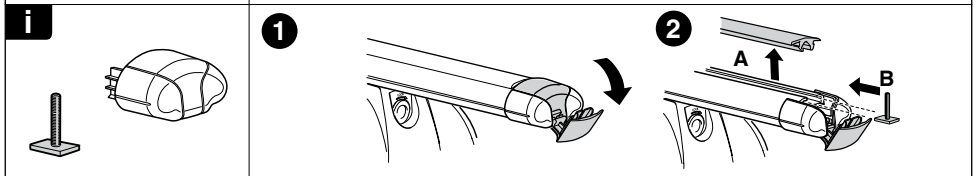
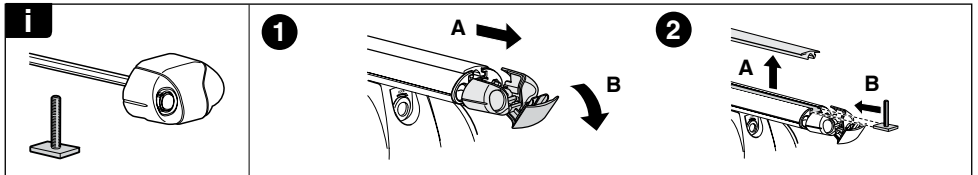
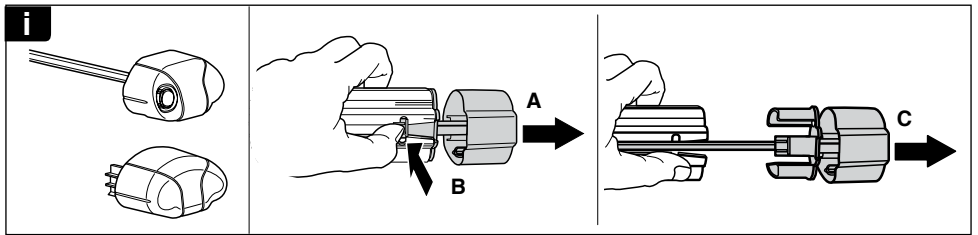
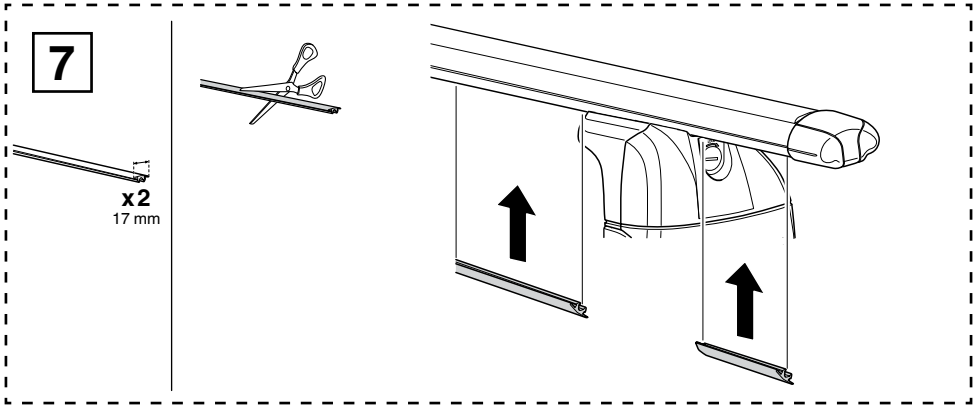
**C**



**D**







**WW** ▶ Thule Sweden AB, Box 69, 330 33 Hillerstorp, SWEDEN

**NA** ▶ Thule Inc., 42 Silvermine Road, Seymour, Connecticut 06483, USA

**@** info@thule.com  
customer.service@thule.com

**www.thule.com**

506-3026-02